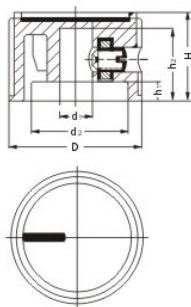


Tuning knobs 轉鈕

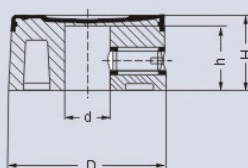
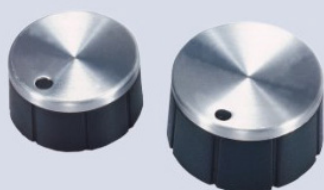


Description

- Material: Black phenolic
- With spun aluminum top inlay
- With line indicator on top
- With lateral screw fixing

- 材質：黑色電木
- 鋁質銘板
- 上銘板加指示線
- 鎖螺絲

| PARTNO. | D | d1 | d2 | H | h1 | h2 |
|---------|----|----|------|----|-----|----|
| 41001-1 | 20 | 6 | 12 | 16 | 3,5 | 13 |
| 41001-2 | 24 | 6 | 15,5 | 16 | 3,5 | 13 |

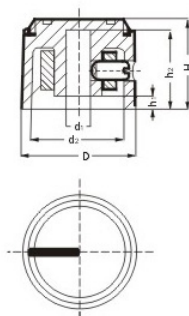


Description

- Material: Black phenolic
- With aluminum capped cover
- Black dot indicator on top
- With lateral screw fixing

- 材質：黑色電木
- 鋁質上蓋加黑色指示點
- 鎖螺絲

| PARTNO. | D | d | H | h |
|---------|----|---|----|----|
| 41002-1 | 21 | 6 | 10 | 8 |
| 41002-2 | 24 | 6 | 12 | 10 |



Description

- Material: Black phenolic
- Straight knurled with aluminum cap
- With indicator line on top
- With lateral screw fixing

- 材質：黑色電木
- 直齒狀鋁質上蓋加指示線
- 鎖螺絲

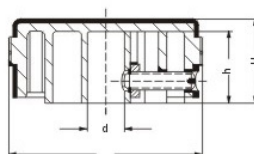
| PARTNO. | D | d1 | d2 | H | h1 | h2 |
|---------|------|----|------|------|----|------|
| 41003-1 | 14 | 4 | 11,4 | 14 | 2 | 12 |
| 41003-2 | 18,2 | 6 | 15 | 14,1 | 2 | 12,3 |

Description

- Material: ABS plastic insert
- Spun aluminum cap and ring assembly
- With lateral screw fixing

- 材質：ABS塑膠
- 鋁質上蓋加塑膠圈組合
- 鎖螺絲

| PARTNO. | D | d | H | h |
|---------|------|---|------|------|
| 41005-1 | 16 | 4 | 15 | 13 |
| 41005-2 | 16 | 6 | 15 | 13 |
| 41005-3 | 22,2 | 6 | 13,5 | 12 |
| 41005-4 | 22,2 | 6 | 17,5 | 16,4 |
| 41005-5 | 32 | 6 | 14 | 12 |

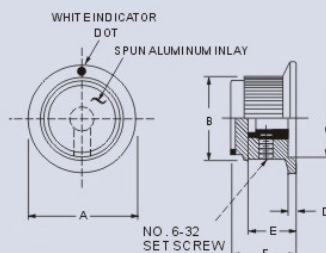


Description

- Material: Phenolic
- With brass insert
- With No.6-32 set screw
- Straight knurl with dot indicator on skirt

- 材質：電木
- 埋銅
- 鎖2支6-32號螺絲
- 下銘板加指示點

| PARTNO. | A | B | C | D | E | F |
|---------|------|------|------|------|------|------|
| 41006-1 | 19.0 | 14.5 | 14.7 | 1.40 | 11.7 | 14.0 |
| 41006-2 | 25.4 | 18.7 | 18.0 | 2.03 | 12.7 | 15.0 |
| 41006-3 | 31.7 | 25.1 | 22.1 | 2.30 | 11.7 | 15.0 |



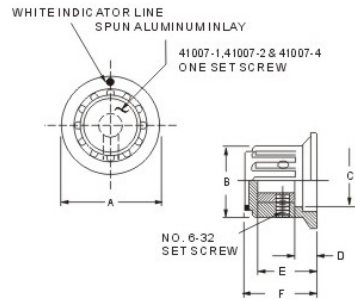
Tuning knobs 轉鈕

Description

- Material: Phenolic
- With two No.6-32 set screw
- Ribbed with line indicator on skirt

- 材質：電木
- 鎖2支6-32號螺絲
- 下銘板加指示線

| PART NO. | A | B | C | D | E | F |
|----------|------|------|------|------|------|------|
| 41007-1 | 20.0 | 14.7 | 13.2 | 2.03 | 11.4 | 15.0 |
| 41007-2 | 20.0 | 14.7 | 13.7 | 2.03 | 11.0 | 15.0 |
| 41007-3 | 24.9 | 14.7 | 12.0 | 4.06 | 14.7 | 17.2 |
| 41007-4 | 24.9 | 14.7 | 12.0 | 4.06 | 14.7 | 17.2 |
| 41007-5 | 34.5 | 24.3 | 17.2 | 5.08 | 18.8 | 21.5 |
| 41007-6 | 19.8 | 14.7 | 12.1 | 3.4 | 14.9 | 17.1 |

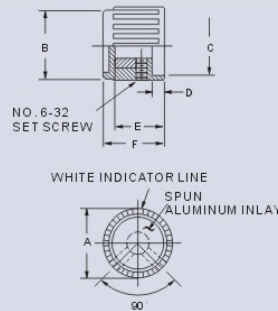


Description

- Material: Phenolic
- With brass insert
- With two No.6-32 set screw
- Ribbed with indicator line

- 材質：電木
- 埋銅
- 鎖2支6-32號螺絲
- 白色指示線

| PART NO. | A | B | C | D | E | F |
|----------|------|------|------|------|------|------|
| 41008-1 | 21.8 | 20.6 | 18.3 | 2.03 | 10.4 | 14.0 |
| 41008-2 | 26.6 | 25.4 | 23.3 | 2.03 | 10.9 | 14.0 |
| 41008-3 | 31.8 | 30.4 | 17.5 | 2.03 | 10.9 | 14.7 |

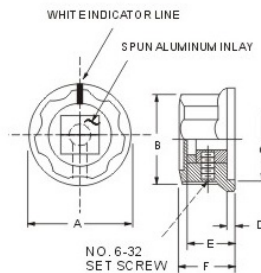


Description

- Material: Phenolic
- With No.6-32 set screw
- Fluted with skirt and indicator line

- 材質：電木
- 鎖6-32號螺絲
- 凹槽狀，鋁質上銘板與劃漆指示線

| PART NO. | A | B | C | D | E | F |
|----------|------|------|------|------|------|------|
| 41009-1 | 19.0 | 15.7 | 11.6 | 2.29 | 9.4 | 11.9 |
| 41009-2 | 21.5 | 19.0 | 18.0 | 2.03 | 10.6 | 13.7 |
| 41009-3 | 25.4 | 22.6 | 22.1 | 2.03 | 11.9 | 14.4 |
| 41009-4 | 33.0 | 29.4 | 25.4 | 3.05 | 12.7 | 16.0 |
| 41009-5 | 37.6 | 34.3 | 31.0 | 3.05 | 13.9 | 17.5 |

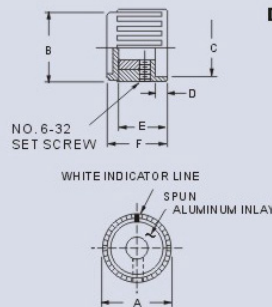


Description

- Material: Phenolic
- With No.6-32 set screw
- Ribbed with indicator line

- 材質：電木
- 鎖6-32號螺絲
- 劃漆指示線

| PART NO. | A | B | C | D | E | F |
|----------|------|------|-------|------|-------|------|
| 41010-1 | 11.0 | 10.4 | 8.13 | 2.03 | 9.65 | 11.9 |
| 41010-2 | 14.0 | 12.7 | 11.10 | 1.42 | 10.03 | 13.2 |
| 41010-3 | 16.7 | 15.5 | 14.00 | 2.03 | 10.90 | 14.0 |
| 41010-4 | 18.8 | 17.8 | 15.00 | 2.03 | 11.40 | 14.0 |

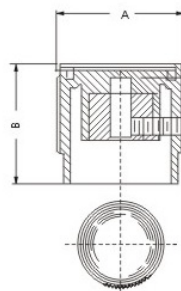


Description

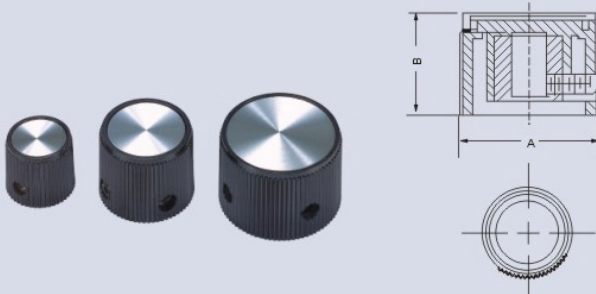
- Material: ABS
- Finish color: matte black
- Top inlay options: plain, any color indicator line indicator dot

- 材質：ABS塑膠
- 表面顏色：黑色霧面
- 上銘板可選擇素色或任何顏色，加指示線或指示點

| PART NO. | A | B | HOLE |
|----------|-------|-------|----------------------|
| 41012-1 | 13.2 | 16.26 | 6.40 DIA 3.20 DIA |
| 41012-2 | 18.29 | 18.79 | 6.40 DIA 3.20 DIA |
| 41012-3 | 23.37 | 21.84 | 6.40 DIA |



Tuning knobs 轉鈕



Description

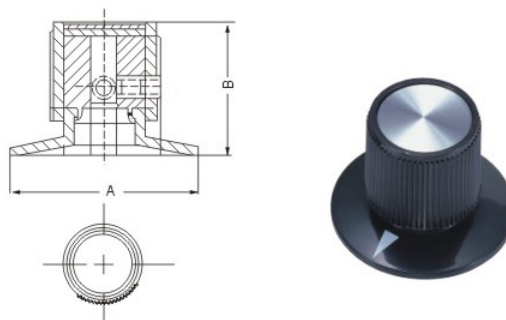
- Material: ABS
- Finish & color high gloss black
- Top inlay options-plain, any colors indicator line indicator dot

• 材質：ABS塑膠
• 表面顏色：黑色霧面
• 上銘板可選擇素色或任何顏色，加指示線或指示點

| PART NO. | A | B | HOLE |
|----------|-------|-------|----------|
| 41013-1 | 13.2 | 12.19 | 6.40 DIA |
| 41013-2 | 18.29 | 14.73 | 3.20 DIA |
| | | | 6.40 DIA |
| 41013-3 | 23.37 | 16.26 | 3.20 DIA |
| | | | 6.40 DIA |

- Description**
- Material: ABS
 - Finish & color high gloss black
 - Molded in brass insert top aluminum inlay available in dot indicator
- 材質：ABS塑膠
• 高亮面黑色表面
• 埋銅，下銘板可選擇是否加指示點

| PART NO. | A | B | HOLE |
|----------|-------|-------|----------|
| 41014-1 | 22.86 | 16.76 | 6.40 DIA |
| 41014-2 | 29.21 | 19.56 | 6.40 DIA |
| 41014-3 | 38.61 | 22.86 | 6.40 DIA |



Description

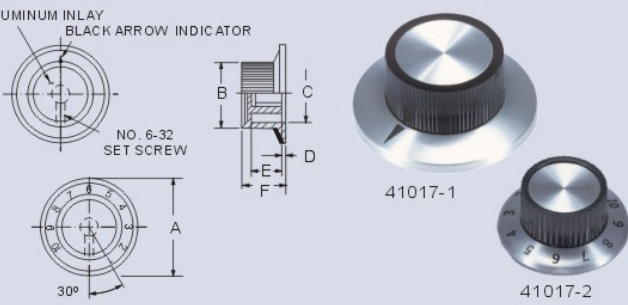
- Material: Black phenolic
- Straight knurl with spun aluminum top inlay and skirt

• 材質：黑色電木
• 直齒狀，鋁質上/下銘板

SPUN ALUMINUM INLAY
BLACK ARROW INDICATOR

NO. 6-32 SET SCREW

| PART NO. | A | B | C | D | E | F |
|----------|------|------|------|------|------|------|
| 41017-1 | 36.0 | 23.1 | 19.8 | 1.53 | 12.4 | 15.0 |
| 41017-2 | 36.0 | 23.1 | 19.8 | 1.53 | 12.4 | 15.0 |

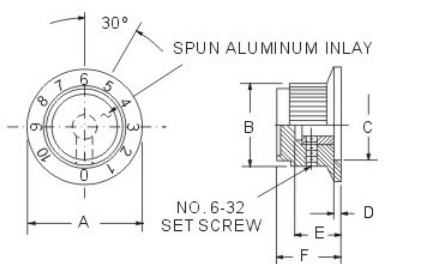


Description

- Material: Black phenolic
- With spun aluminum top inlay and straight knurl skirt with 0-10 numerals

• 材質：黑色電木
• 鋁質上/下銘板，下銘板可選擇是否印刻度(0~10)

| PART NO. | A | B | C | D | E | F | SHAFT HOLE |
|----------|------|------|------|------|------|------|------------|
| 41019-1 | 19.8 | 15.2 | 12.4 | 1.53 | 9.91 | 12.9 | 3.2 |
| 41019-2 | 19.8 | 15.2 | 12.4 | 1.53 | 9.91 | 12.9 | 6.4 |
| 41019-3 | 25.4 | 18.8 | 18.5 | 2.29 | 12.7 | 15.0 | 6.4 |
| 41019-4 | 32.7 | 25.4 | 21.8 | 1.01 | 12.7 | 15.0 | 6.4 |



Tuning knobs 轉鈕

41020-1
BLACK INDICATOR LINE
SPUN ALUMINUM INLAY
180°

41020-2
36°
A

41020-3

NO. 6-32 SET SCREW

Description

- Material: Black phenolic
- Straight knurl with spun aluminum top inlay and skirt
- 材質：黑色電木
- 直線紋路，鋁質上/下銘板(印刻度)

| PART NO. | A | B | C | D | E | F |
|----------|------|------|------|------|------|------|
| 41020-1 | 29.4 | 14.2 | 15.8 | 2.28 | 13.0 | 17.0 |
| 41020-2 | 29.4 | 14.2 | 15.8 | 2.28 | 13.0 | 17.0 |
| 41020-3 | 29.4 | 14.2 | 15.8 | 2.28 | 13.0 | 17.0 |

SPUN ALUMINUM INLAY
WHITE INDICATOR LINE
180°

NO. 6-32 SET SCREW

Description

- Material: Black phenolic
- With spun aluminum top inlay and straight knurl with indicator line on skirt
- W/O aluminum skirt
- 材質：黑色電木
- 鋁質上銘板，直齒狀，下塑膠加指示線
- 沒有下鋁質銘板

| PART NO. | A | B | C | D | E | F |
|----------|------|------|------|------|------|------|
| 41021-1 | 28.4 | 14.2 | 15.8 | 2.28 | 13.0 | 17.0 |

BRASS INSERT
BODY
45°
A
B
C

Description

- Material: Phenolic
- Finish: Matte black
- One set screw
- 材質：電木
- 表面：黑色霧面
- 鎖一顆螺絲

| PART NO. | A | B | C | SHAFT HOLE |
|----------|------|------|-----|------------|
| 41023-1 | 11.2 | 12 | 1.5 | 3.2 |
| 41023-2 | 17 | 12.2 | 1.5 | 3.2 |

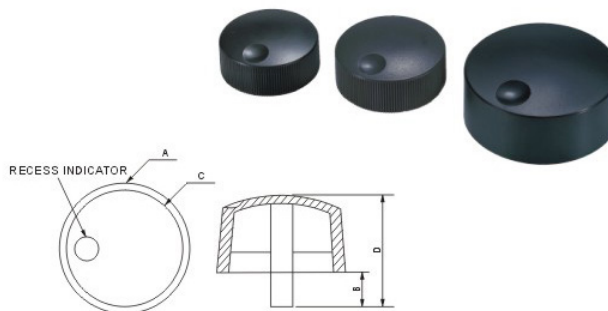
Tuning knobs 轉鈕

Description

- Material: ABS
- Finish:Matte texture on top
Knurling on the outside diameter
except of 41026-1
- Recess indicator dot on the top
- Shaft hole: ϕ 6mm \times 18 teeth

- 材質：ABS塑膠
- 表面：頂部霧面咬花
外徑齒狀(41026-1除外)
頂部指示點凹陷
- 插梢孔徑： ϕ 6mm \times 18 齒

| PART NO. | A | B | C | D |
|----------|------|------|------|------|
| 41026-1 | 45.1 | 4.93 | 44.2 | 24.2 |
| 41026-2 | 33 | 8.8 | 32.8 | 22.2 |
| 41026-3 | 31 | 0 | 30.6 | 12.7 |

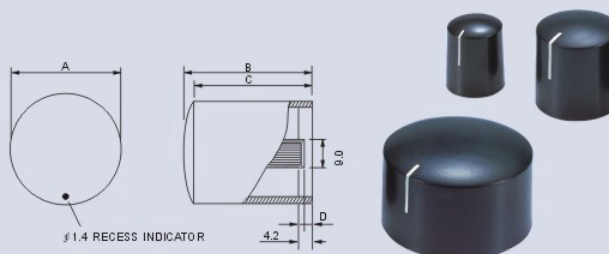


Description

- Material: ABS
- Finish:Light texture
- Indicator line on the top and side
- Shaft Hole: ϕ 6mm \times 18 teeth

- 材質：ABS塑膠
- 表面：淺咬花面
- 指示線從頂部延伸至側面
- 插梢孔徑： ϕ 6mm \times 18 齒

| PART NO. | A | B | C | D |
|----------|------|------|------|-----|
| 41027-1 | 14.1 | 16.5 | 15 | 4.5 |
| 41027-2 | 20.2 | 20.3 | 18.4 | 0 |
| 41027-3 | 34.8 | 20.2 | 17.7 | 4.8 |

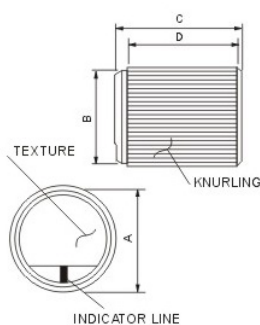
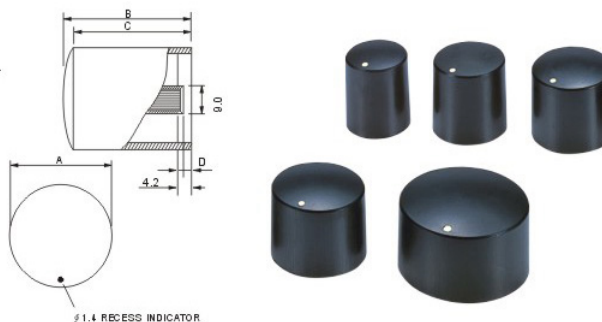


Description

- Material: ABS
- Finish: Matte texture on top
Hair line on the outside diameter
Indicator dot on the top
- Shaft hole: ϕ 6mm \times 18 teeth

- 材質：ABS塑膠
- 表面：頂部霧面咬花
外徑加髮線，頂部加指示點
- 插梢孔徑： ϕ 6mm \times 18 齒

| PART NO. | A | B | C | D |
|----------|------|------|------|-----|
| 41028-1 | 15.0 | 17.6 | 17.0 | 3.2 |
| 41028-2 | 17.4 | 18.0 | 17.0 | 2.3 |
| 41028-3 | 19.5 | 17.1 | 15.7 | 3.5 |
| 41028-4 | 22.0 | 17.8 | 16.2 | 3.2 |
| 41028-5 | 30.2 | 17.8 | 15.7 | 3.0 |



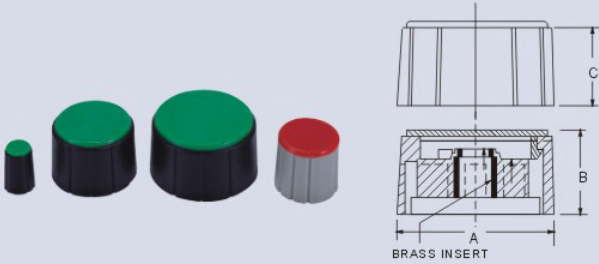
Description

- Material: ABS
- Finish:Texture on top-knurling on
outside diameter
- Indicator line on top
- Shaft hole: ϕ 6mm \times 18 teeth

- 材質：ABS塑膠
- 表面：外徑頂部咬花面，齒狀
頂部加指示線
- 插梢孔徑： ϕ 6mm \times 18 齒

| PART NO. | A | B | C | D |
|----------|------|------|------|------|
| 41029-1 | 14.8 | 13.2 | 17.7 | 15.2 |
| 41029-2 | 19.8 | 18 | 18 | 15.4 |
| 41029-3 | 24.8 | 23 | 18 | 15.4 |

Tuning knobs 轉鈕

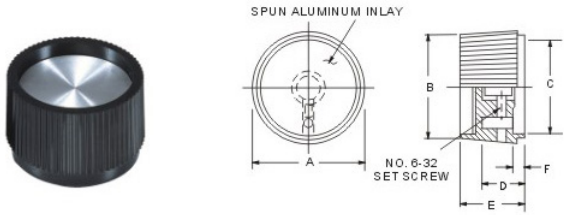


Description

- Material: ABS
- Finish: Matte, light texture
- Collected knob with brass insert
- Plastic cap on top, color is optional

- 材質：ABS塑膠
- 表面：霧面淺咬花
- 埋銅粒
- 塑膠上蓋，顏色可選擇

| PART NO. | A | B | C | SHAFT HOLE |
|----------|------|------|------|------------|
| 41030-1 | 36.3 | 20.5 | 18.4 | 6 |
| 41030-2 | 28.4 | 19.8 | 18.4 | 6 |
| 41030-3 | 21.2 | 19.3 | 17.7 | 6 |
| 41030-5 | 10.3 | 15.6 | 14.1 | 2.8 |

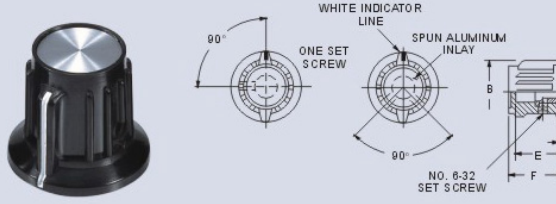


Description

- Material: Phenolic
- With No. 6-32 set screw
- Straight knurl outside
- Al. inlay on top

- 材質：電木
- 鑽6-32螺絲
- 外徑齒狀
- 鋁質上銘板

| PART NO. | A | B | C | D | E | F |
|----------|------|------|------|------|------|------|
| 41031 | 25.3 | 24.7 | 20.3 | 12.0 | 17.0 | 3.99 |



Description

- Material: Phenolic
- With No. 6-32 set screw
- Ribbed with white indicator line
- Al. inlay on top

- 材質：黑色電木
- 鑽6-32號螺絲
- 白色指示線
- 鋁質上銘板

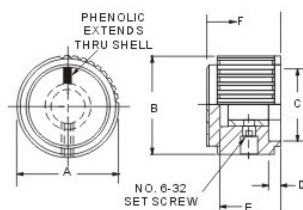
| PART NO. | A | B | C | D | E | F |
|----------|------|------|------|------|------|------|
| 41032-1 | 20.0 | 17.6 | 12.9 | 2.08 | 14.7 | 17.5 |
| 41032-2 | 20.0 | 17.6 | 12.9 | 2.08 | 14.7 | 17.5 |
| 41032-3 | 24.8 | 22.2 | 17 | 1.27 | 16.1 | 18.7 |

Description

- Material: Phenolic
- With No. 6-32 set screw
- Fluted on outside
- Al. cap on top with black indicator line

- 材質：電木
- 鑽6-32號螺絲
- 外觀凹槽狀
- 鋁質上蓋加指示線

| PART NO. | A | B | C | D | E | F |
|----------|------|------|------|------|------|------|
| 41033 | 20.0 | 19.4 | 14.5 | 2.49 | 12.5 | 15.0 |



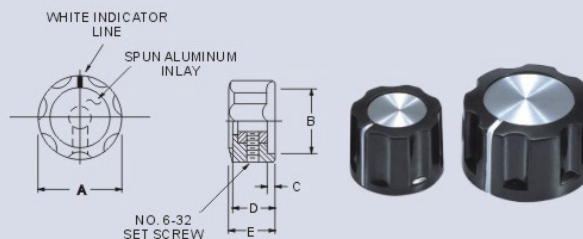
Tuning knobs 轉鈕

Description

- Material: Phenolic
- With No. 6-32 set screw
- Fluted with white indicator line
- Al. cap on top

- 材質：電木
- 鎖6-32號螺絲
- 外觀凹槽狀，側邊加指示線
- 鋁質上蓋

| PART NO. | A | B | C | D | E | Shaft hole |
|----------|------|------|------|------|------|------------|
| 41034-1 | 16 | 12.0 | 2.31 | 10.0 | 12.0 | 3.2 |
| 41034-2 | 16 | 12.0 | 2.31 | 10.0 | 12.0 | 6.4 |
| 41034-3 | 22.6 | 18.4 | 2.49 | 12.2 | 13.0 | 6.4 |

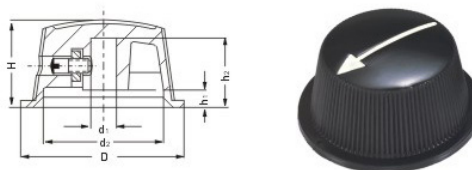


Description

- Material: Phenolic
- White epoxy painted indicator

- 材質：電木
- 白色Epoxy指示線

| PART NO. | D | d ₁ | d ₂ | H | h ₁ | h ₂ |
|----------|----|----------------|----------------|----|----------------|----------------|
| 41035 | 38 | 6 | 28 | 18 | 4 | 16 |

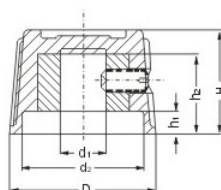
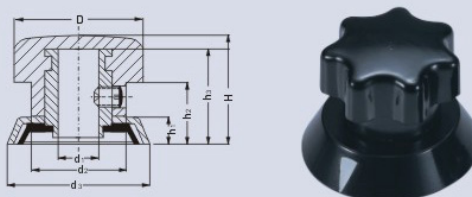


Description

- Material: Phenolic
- With epoxy painted arrow indicator
- Steel fastener assembled
- Brass insert with set screw

- 材質：電木
- 白色Epoxy三角形印刷
- 埋銅，鎖螺絲

| PART NO. | D | d ₁ | d ₂ | d ₃ | H | h ₁ | h ₂ | h ₃ | M |
|----------|----|----------------|----------------|----------------|----|----------------|----------------|----------------|---|
| 41036-1 | 25 | 6 | 17 | 31.5 | 22 | 7 | 13 | 19 | 1 |
| 41036-2 | 31 | 6 | 21 | 42 | 25 | 8 | 14.5 | 22 | 1 |

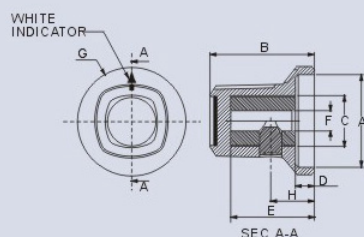


Description

- Material: Phenolic
- With epoxy indicator line
- Brass insert with set screw

- 材質：電木
- 白色Epoxy指示線
- 埋銅，鎖螺絲

| PART NO. | D | d ₁ | d ₂ | H | h ₁ | h ₂ |
|----------|----|----------------|----------------|------|----------------|----------------|
| 41037 | 19 | 6 | 16 | 13.5 | 3 | 11.5 |



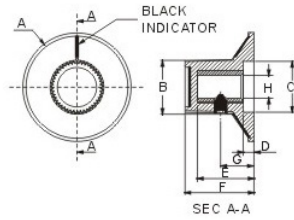
Description

- Aluminum inlay on top
- Material: Phenolic
- With 6-32 set screw
- High Gloss white Indicator Line
- Brass Insert

- 黑色電木
- 鎖6-32號螺絲
- 鋁質上銘板
- 亮面，白色指示線
- 埋鋼粒

| PART NO. | A | B | C | D | E | F | G | H |
|----------|------|------|---|---|------|-----|----|---|
| 41038-1 | 14.5 | 16.5 | 8 | 3 | 13.2 | 3.2 | 17 | 7 |
| 41038-2 | 14.5 | 16.5 | 8 | 3 | 13.2 | 6.4 | 17 | 7 |

Tuning knobs 轉鈕

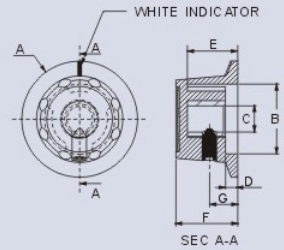


Description

- Material: Phenolic
- With 6-32 set screw
- Straight knurling
- Aluminum top inlay and skirt

- 黑色電木
- 鑽6-32號螺絲
- 齒狀·鋁質上/下銘板

| PART NO. | A | B | C | D | E | F | G | H |
|----------|----|------|----|---|------|----|-----|-----|
| 41039-1 | 30 | 14.7 | 14 | 3 | 15.6 | 19 | 9.2 | 6.4 |



Description

- Material: Phenolic
- With 6-32 set screw
- Aluminum inlay on top
- White indicator line

- 黑色電木
- 鑽6-32號螺絲
- 鋁質上銘板
- 白色指示線

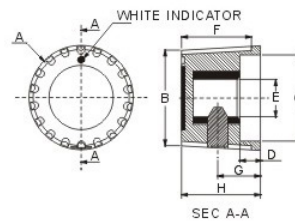
| PART NO. | A | B | C | D | E | F | G |
|----------|------|------|-----|-----|------|------|---|
| 41040-1 | 28.3 | 17 | 6.4 | 3 | 12.4 | 15.2 | 7 |
| 41040-2 | 38.1 | 20.3 | 6.4 | 4.6 | 17.9 | 20.8 | 7 |

Description

- Material: Phenolic
- Brass insert
- Set screw
- Alum inlay on top
- High Gloss, White indicator dot on top

- 黑色電木
- 埋銅粒
- 鑽螺絲
- 鋁質上銘板
- 亮面·白色指示點於頂部

| PART NO. | A | B | C | D | E | F | G | H |
|----------|------|------|------|-----|-----|------|-----|------|
| 41041-1 | 17.8 | 16.3 | 14.6 | 3.5 | 3.2 | 11.9 | 7.3 | 13.5 |
| 41041-2 | 17.8 | 16.3 | 14.6 | 3.5 | 6.4 | 11.9 | 7.3 | 13.5 |

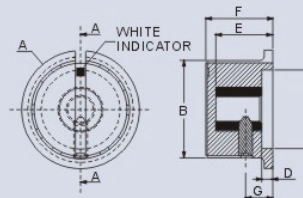


Description

- Material: Phenolic
- Brass insert
- With 6-32 & 4-40 set screw
- Finish with light texture · white indicator on top
- Shaft hole: ϕ 6.4mm X 3.2mm

- 黑色電木
- 埋銅
- 鑽6-32號與4-40號螺絲
- 表面淺咬花·白色指示點於頂部
- 插梢尺寸： ϕ 6.4mm X 3.2mm

| PART NO. | A | B | C | D | E | F | G |
|----------|------|------|------|-----|------|------|-----|
| 41042-1 | 15 | 11.8 | 9.6 | 2 | 11.6 | 13.9 | 5 |
| 41042-2 | 20 | 15.7 | 12.1 | 1.5 | 12.9 | 15.3 | 6 |
| 41042-3 | 29.7 | 24.6 | 19.8 | 2.3 | 14.5 | 17.1 | 7 |
| 41042-4 | 34.8 | 28.5 | 23.9 | 2.5 | 13.7 | 17.9 | 7 |
| 41042-5 | 39.8 | 33.2 | 27.7 | 3 | 15.6 | 19 | 6.9 |



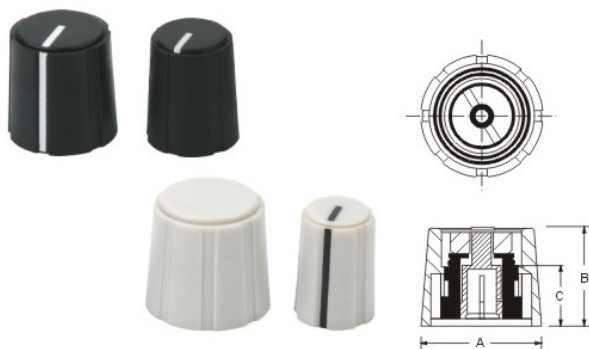
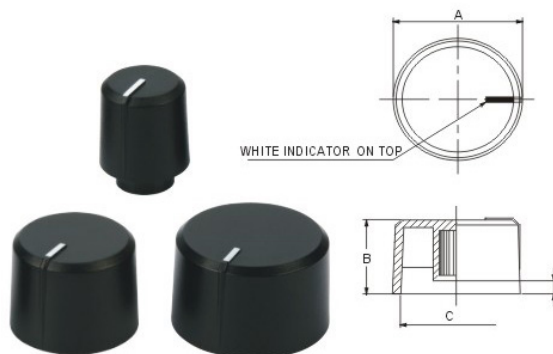
Tuning knobs 轉鈕

Description

- Material: ABS
- Finish: Light texture, Matt
- White indicator line on top
- Shaft hole: $\phi 6\text{mm}$, 18 teeth
D type $\phi 6\text{mm} \times 4.5\text{mm}$

- 材質: ABS塑膠
- 表面: 淺咬花, 霧面
- 頂部加白色指示線
- 插梢尺寸: $\phi 6\text{mm}$, 18齒
D型, $\phi 6\text{mm} \times 4.5\text{mm}$

| PART NO. | A | B | C | D |
|----------|------|----|------|-----|
| 41043-1 | 13 | 13 | 11.6 | 3.5 |
| 41043-2 | 18.5 | 14 | 15.5 | 2.5 |
| 41043-3 | 23 | 14 | 20 | 2.5 |

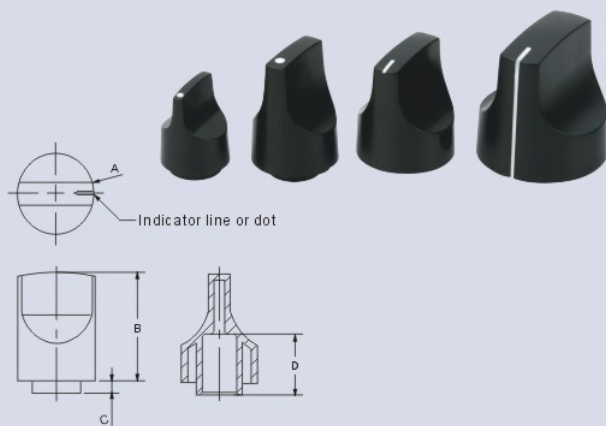


Description

- Material: ABS
- Finish: matt, Light texture
- Plastic cap on top, color option
- Collected knob with brass insert
- Shaft hole: $\phi 6\text{mm}$, 18 teeth available

- 材質: ABS塑膠
- 表面: 霧面, 淺咬花
- 塑膠上蓋, 顏色可選擇
- 埋銅粒
- 插梢尺寸: $\phi 6\text{mm} \times 18$ 齒

| PART NO. | A | B | C |
|----------|------|------|-----|
| 41044-1 | 10 | 13.5 | 6.8 |
| 41044-2 | 11.5 | 13.5 | 6.8 |
| 41044-3 | 12.5 | 13.5 | 6.8 |
| 41044-4 | 15.8 | 13.7 | 6.8 |



Description

- Material: ABS
- Finish: matt, Light texture
- indicator line or dot
- Shaft hole: $\phi 6\text{mm} \times 18$ teeth

- 材質: ABS塑膠
- 表面: 霧面, 淺咬花
- 指示線或指示點
- 插梢尺寸: $\phi 6\text{mm} \times 18$ 齒

| PART NO. | A | B | C | D |
|----------|------|------|-----|------|
| 41045-1 | 10.7 | 13.5 | 1.5 | 6.6 |
| 41045-2 | 13 | 17.7 | 5 | 10 |
| 41045-3 | 15 | 17.7 | 1.5 | 11.2 |
| 41045-4 | 20 | 20.5 | 0 | 12.0 |