

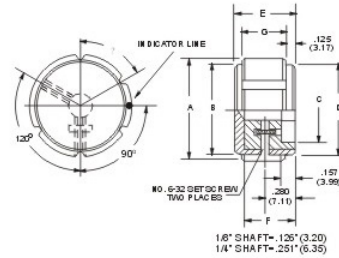
# Machined aluminum & shell knobs 全鋁及鋁殼旋鈕

## Description

- Material: Aluminum shell with plastic insert
- Finish: Anodized black and natural
- With two No. 6-32 set screws
- 6 flute design with indicator line
- Solid aluminum knob is available

- 材質：鋁質外殼植入塑膠
- 黑色或原色電解
- 鎖兩支6-32號螺絲
- 六個凹槽設計側邊加指示線
- 可供應實心鋁質旋鈕

PART NO.	COLOR	A	B	C	D	E	F	G
42001-1	NATURAL	12.7	10.9	9.65	10.9	16.0	13.0	10.9
42001-2	BLACK	12.7	10.9	9.65	10.9	16.0	13.0	10.9
42001-3	NATURAL	19.0	16.2	15.0	16.8	16.0	13.0	10.9
42001-4	BLACK	19.0	16.2	15.0	16.8	16.0	13.0	10.9
42001-5	NATURAL	23.9	20.8	18.0	20.8	16.0	13.0	10.9
42001-6	BLACK	23.9	20.8	18.0	20.8	16.0	13.0	10.9

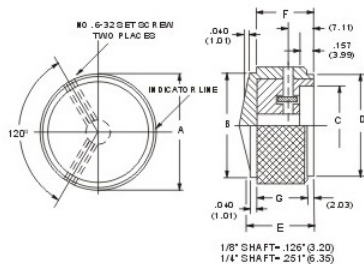
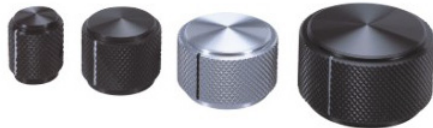
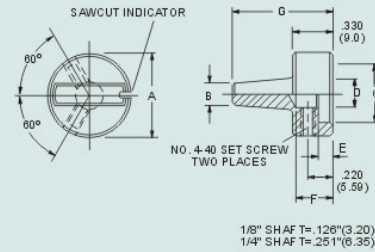


## Description

- Material: Aluminum
- Finish: Anodized color by request
- With two 4-40 set screws
- Control knob with sawcut indicator

- 材質：鋁質外殼植入塑膠
- 黑色或原色電解
- 鎖兩支6-32號螺絲
- 鑽石紋路，側邊加指示線
- 可供應實心鋁質旋鈕

PART NO.	COLOR	A	B	C	D	E	F	G
42002-1	NATURAL	12.7	5.08	9.4	3.30	3.05	9.0	19.0
42002-2	NATURAL	12.7	5.08	9.4	6.35	3.05	9.0	19.0
42002-3	BLACK	12.7	5.08	9.4	3.30	3.05	9.0	19.0
42002-4	BLACK	12.7	5.08	9.4	6.35	3.05	9.0	19.0
42002-5	NATURAL	15.8	5.08	9.9	3.30	3.05	9.0	19.0
42002-6	NATURAL	15.8	5.08	9.9	6.35	3.05	9.0	19.0
42002-7	BLACK	15.8	5.08	9.9	3.30	3.05	9.0	19.0
42002-8	BLACK	15.8	5.08	9.9	6.35	3.05	9.0	19.0
42002-9	NATURAL	19.0	5.08	13.0	6.35	3.05	9.0	22.9
42002-10	BLACK	19.0	5.08	13.0	6.35	3.05	9.0	22.9
42002-11	NATURAL	23.9	5.08	18.0	6.35	3.05	9.0	22.9
42002-12	BLACK	23.9	5.08	18.0	6.35	3.05	9.0	22.9




## Description

- Material: Aluminum shell with plastic insert
- Finish: Anodized black and natural
- With two No. 6-32 set screws
- Diamond knurl with indicator line
- Solid aluminum knob is available

- 材質：鋁質外殼植入塑膠
- 黑色或原色電解
- 鎖兩支6-32號螺絲
- 鑽石紋路，側邊加指示線
- 可供應實心鋁質旋鈕

PART NO.	COLOR	A	B	C	D	E	F	G
42003-1	NATURAL	13.3	10.9	9.65	10.9	16.0	13.0	11.9
42003-2	BLACK	13.3	10.9	9.65	10.9	16.0	13.0	11.9
42003-3	NATURAL	19.5	16.8	15.0	16.8	16.0	13.0	11.9
42003-4	BLACK	19.5	16.8	15.0	16.8	16.0	13.0	11.9
42003-5	NATURAL	24.7	20.8	18.0	20.8	16.0	13.0	11.9
42003-6	BLACK	24.7	20.8	18.0	20.8	16.0	13.0	11.9
42003-7	NATURAL	32.3	28.2	24.9	28.2	19.0	16.0	15.0
42003-8	BLACK	32.3	28.2	24.9	28.2	19.0	16.0	15.0

# Machined aluminum & shell knobs 全鋁及鋁殼旋鈕

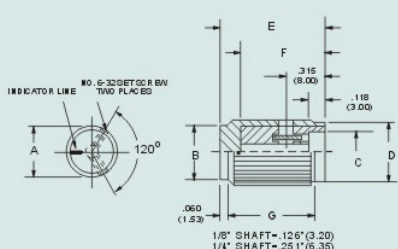


**Description**


- Material: Aluminum shell with plastic insert
- Finish: Anodized black and natural
- With two No. 6-32 set screws
- Control knob with straight knurl and top line indicator
- Solid aluminum knob is available

• 材質：鋁質外殼插入塑膠  
 • 黑色或原色電解  
 • 鎖兩支6-32號螺絲  
 • 直筒狀，頂部加指示線  
 • 可供應實心鋁質旋鈕

PART NO.	COLOR	A	B	C	D	E	F	G
42004-1	NATURAL	12.7	10.9	9.9	11.9	20.0	16.0	15.5
42004-2	BLACK	12.7	10.9	9.9	11.9	20.0	16.0	15.5
42004-3	NATURAL	19.0	17.3	15.0	18.0	20.0	16.0	15.5
42004-4	BLACK	19.0	17.3	15.0	18.0	20.0	16.0	15.5
42004-5	NATURAL	23.6	22.1	18.0	22.9	20.0	16.0	15.5
42004-6	BLACK	23.6	22.1	18.0	22.9	20.0	16.0	15.5



INDICATOR LINE  
NO. 6-32 SET SCR BV  
TWO PLACES  
120°  
E  
F  
3.15 (8.00)  
.118 (3.00)  
D  
C  
B  
A  
G  
.060 (1.53)  
1/8" SHAFT = 126° (3.20)  
1/4" SHAFT = 251° (6.35)

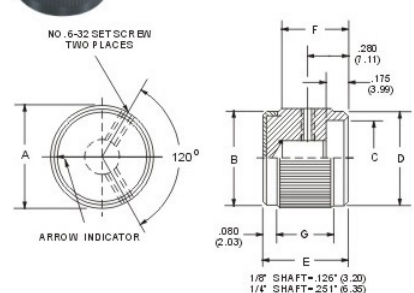


**Description**

- Material: Aluminum shell with plastic insert
- Finish: Anodized color by request
- With two No. 6-32 set screws
- Straight knurl with arrow head indicator
- Solid aluminum knob is available

• 材質：鋁質外殼插入塑膠  
 • 電解顏色可選擇  
 • 鎖兩支6-32號螺絲  
 • 直筒狀，箭頭型指示線  
 • 可供應實心鋁質旋鈕

PART NO.	COLOR	A	B	C	D	E	F	G
42005-1	NATURAL	12.7	11.4	9.65	11.4	16.0	13.0	11.7
42005-2	BLACK	12.7	11.4	9.65	11.4	16.0	13.0	11.7
42005-3	NATURAL	19.0	17.3	15.0	17.8	16.0	13.0	11.7
42005-4	BLACK	19.0	17.3	15.0	17.8	16.0	13.0	11.7



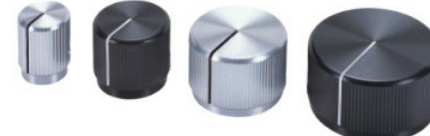
NO. 6-32 SET SCR BV  
TWO PLACES  
120°  
A  
B  
C  
D  
E  
F  
G  
.080 (2.03)  
1/8" SHAFT = 126° (3.20)  
1/4" SHAFT = 251° (6.35)  
ARROW INDICATOR  
.280 (7.11)  
.175 (3.99)

## Description

- Material: Aluminum shell with plastic insert
- Finish: Anodized black and natural
- With two No. 6-32 set screws
- Straight knurl with top and side indicator
- Solid aluminum knob is available

- 材質：鋁質外殼插入塑膠  
 • 黑色或原色電解  
 • 鎖兩支6-32號螺絲  
 • 直筒狀，指示線從頂部延伸至側邊  
 • 可供應實心鋁質旋鈕

PART NO.	COLOR	A	B	C	D	E	F	G
42006-1	NATURAL	12.7	11.4	9.65	7.11	16.0	13.0	13.5
42006-2	BLACK	12.7	11.4	9.65	7.11	16.0	13.0	13.5
42006-3	NATURAL	19.0	17.8	14.9	7.11	16.0	13.0	13.5
42006-4	BLACK	19.0	17.8	14.9	7.11	16.0	13.0	13.5
42006-5	NATURAL	23.9	22.3	18.0	7.11	16.0	13.0	13.5
42006-6	BLACK	23.9	22.3	18.0	7.11	16.0	13.0	13.5
42006-7	NATURAL	31.7	30.5	24.9	7.11	16.0	13.0	13.5
42006-8	BLACK	31.7	30.5	24.9	7.11	16.0	13.0	13.5

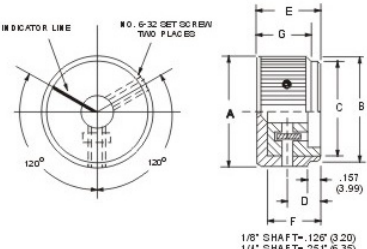


**Description**

- Material: Aluminum shell with plastic insert
- Finish: Anodized black and natural
- With two No. 6-32 set screws
- Straight knurl with top and side indicator
- Solid aluminum knob is available

• 材質：鋁質外殼插入塑膠  
 • 黑色或原色電解  
 • 鎖兩支6-32號螺絲  
 • 直筒狀，指示線從頂部延伸至側邊  
 • 可供應實心鋁質旋鈕

PART NO.	COLOR	A	B	C	D	E	F	G
42006-1	NATURAL	12.7	11.4	9.65	7.11	16.0	13.0	13.5
42006-2	BLACK	12.7	11.4	9.65	7.11	16.0	13.0	13.5
42006-3	NATURAL	19.0	17.8	14.9	7.11	16.0	13.0	13.5
42006-4	BLACK	19.0	17.8	14.9	7.11	16.0	13.0	13.5
42006-5	NATURAL	23.9	22.3	18.0	7.11	16.0	13.0	13.5
42006-6	BLACK	23.9	22.3	18.0	7.11	16.0	13.0	13.5
42006-7	NATURAL	31.7	30.5	24.9	7.11	16.0	13.0	13.5
42006-8	BLACK	31.7	30.5	24.9	7.11	16.0	13.0	13.5



INDICATOR LINE  
NO. 6-32 SET SCR BV  
TWO PLACES  
120°  
E  
G  
A  
B  
C  
D  
F  
.157 (3.99)  
1/8" SHAFT = 126° (3.20)  
1/4" SHAFT = 251° (6.35)

# Machined aluminum & shell knobs 全鋁及鋁殼旋鈕

**Description**

- Material: Aluminum shell with plastic insert
- Finish: Anodized black
- With two No. 6-32 set screws
- Serrated diamond trim cut with dot indicator
- Solid aluminum knob is available
- Black or natural color are available

•材質：鋁質外殼植入塑膠  
•黑色或原色電解  
•鎖兩支6-32號螺絲  
•鋸齒狀鑽石切邊加指示點  
•可接受實心鋁質旋鈕  
•可供應黑色或原色旋鈕

PART NO.	A	B	C	D	E	F	G
42007-1	9.40	7.11	7.11	2.54	5.08	6.1	7.60
42007-2	9.40	7.11	7.11	2.54	5.08	9.1	11.4
42007-3	12.7	10.4	9.65	3.05	7.11	13.0	15.2
42007-4	19.0	16.5	14.9	3.05	7.11	13.0	15.2

WHITE INDICATOR DOT  
120°  
NO. 6-32 SET SCREW TWO PLACES  
1/8" SHAFT = .126" (3.20)  
1/4" SHAFT = .251" (6.35)

**Description**

- Material: Aluminum shell with plastic insert
- Finish: Anodized black and natural
- With two No. 6-32 set screws
- Square serration with indicator line
- Solid aluminum knob is available

•材質：鋁質外殼植入塑膠  
•黑色或原色電解  
•鎖兩支6-32號螺絲  
•方格鋸齒狀加指示線  
•可供應實心鋁質旋鈕

PART NO.	COLOR	A	B	C	D	E	F	G
42008-1	NATURAL	12.7	10.9	9.65	10.9	7.11	13.0	16.0
42008-2	BLACK	12.7	10.9	9.65	10.9	7.11	13.0	16.0
42008-3	NATURAL	19.0	16.5	14.9	16.7	7.11	13.0	16.0
42008-4	BLACK	19.0	16.5	14.9	16.7	7.11	13.0	16.0
42008-5	NATURAL	23.9	20.8	18.0	21.0	7.11	13.0	16.0
42008-6	BLACK	23.9	20.8	18.0	21.0	7.11	13.0	16.0
42008-7	NATURAL	31.7	28.1	24.8	28.1	7.11	13.0	19.0
42008-8	BLACK	31.7	28.1	24.8	28.1	7.11	13.0	19.0

120°  
INDICATOR LINE  
NO. 6-32 SET SCREW TWO PLACES  
0.16 (4.06)  
1/8" SHAFT = .126" (3.20)  
1/4" SHAFT = .251" (6.35)

**Description**

- Material: Aluminum shell with plastic insert
- Finish: Anodized black and natural
- With two No. 6-32 set screws
- Diamond knurl with indicator line
- Solid aluminum knob is available

•材質：鋁質外殼植入塑膠  
•黑色或原色電解  
•鎖兩支6-32號螺絲  
•鑽石紋路加指示線  
•可供應實心鋁質旋鈕

PART NO.	D	d1	d2	H	h1	h2
42009-1	18,6	6	13	12	3	9,5
42009-2	22,8	6	14	13	3	11
42009-3	32,5	6	15,5	14	3	12,5
42009-4	38,4	6	33	16	3	13,5

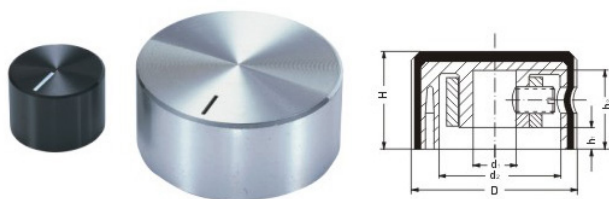
**Description**

- Material: Plastic insert with aluminum cap
- With lateral screw fixing
- With indicator line on top
- Solid aluminum knob is available

•材質：鋁質外殼植入塑膠  
•螺絲固定於側邊  
•指示線於頂部  
•可供應實心鋁質旋鈕

PART NO.	D	d	H	h
42010-1	12	4	7	5,6
42010-2	12	6	7	5,6

# Machined aluminum & shell knobs 全鋁及鋁殼旋鈕

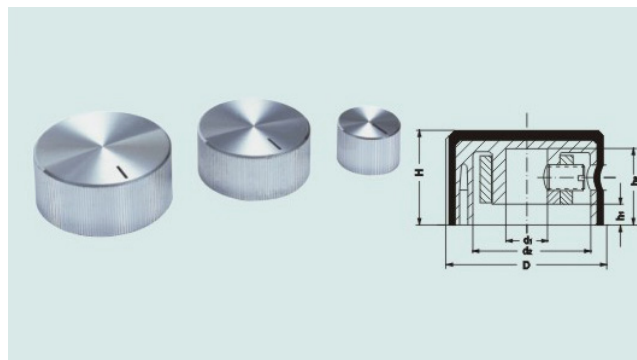


## Description

- Aluminum cap with ABS plastic insert
- Set screw with steel ring

- 鋁質外殼植入塑膠
- 螺絲加鐵圈
- 指示線於頂部

PART NO.	D	d1	d2	H	h1	h2
42011-1	18	6	13	12	3	9,5
42011-2	22,2	6	14	13	3	11
42011-3	31,9	6	15,5	14	3	12,5
42011-4	37,8	6	33	16	3	13,5



## Description

- Aluminum cap with ABS plastic insert
- Set screw with steel ring
- With indicator line

- 鋁質外殼植入ABS塑膠
- 螺絲加鐵圈
- 指示線於頂部

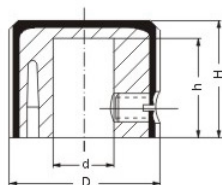
PART NO.	D	d1	d2	H	h1	h2
42012-1	18,6	6	13	12	3	9,5
42012-2	22,8	6	14	13	3	11
42012-3	32,5	6	15,5	14	3	12,5
42012-4	38,4	6	33	16	3	13,5

## Description

- Aluminum cap with ABS plastic insert
- With set screw

- 鋁質外殼植入ABS塑膠
- 鎖螺絲
- 指示線於頂部

PART NO.	D	d	H	h
42013	14	4	11,2	7,5

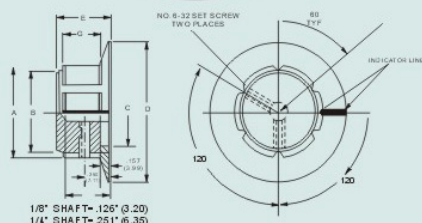


## Description

- Material: Aluminum
- 6 Flute design with spun aluminum top inlay and skirt with indicator line

- 材質：鋁質
- 六個凹槽設計
- 鋁質上/下銘板與指示線

PART NO.	COLOR	A	B	C	D	E	F	G	SHAFTHOLE
42015-1	NATURAL	12.7	10.9	9.65	18.8	16.0	13.0	10.9	3.2
42015-2	NATURAL	12.7	10.9	9.65	18.8	16.0	13.0	10.9	6.4
42015-3	BLACK	12.7	10.9	9.65	18.8	16.0	13.0	10.9	3.2
42015-4	BLACK	12.7	10.9	9.65	18.8	16.0	13.0	10.9	6.4
42015-5	NATURAL	19.0	16.5	15.0	28.4	16.0	28.4	7.11	6.4
42015-6	BLACK	19.0	16.5	15.0	28.4	16.0	28.4	7.11	6.4
42015-7	NATURAL	23.9	20.8	18.0	35.5	16.0	28.4	7.11	6.4
42015-8	BLACK	23.9	20.8	18.0	35.5	16.0	28.4	7.11	6.4



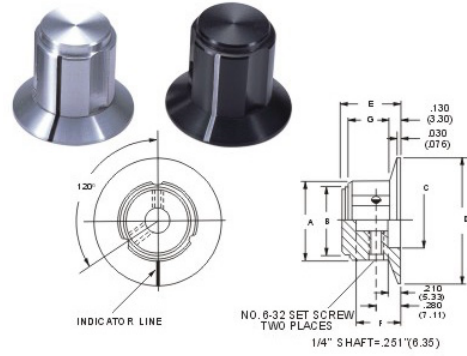
# Machined aluminum & shell knobs 全鋁及鋁殼旋鈕

## Description

- Material: Aluminum
- 3 Flute design with aluminum skirt and indicator line

- 材質：鋁質
- 三個凹槽設計
- 鋁質上/下銘板與指示線

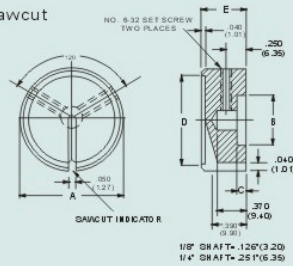
PART NO.	COLOR	A	B	C	D	E	F	G	SHAFT HOLE
42018-1	NATURAL	12.7	10.9	9.65	19.0	16.0	12.9	10.9	3.2
42018-2	NATURAL	12.7	10.9	9.65	19.0	16.0	12.9	10.9	6.4
42018-3	BLACK	12.7	10.9	9.65	19.0	16.0	12.9	10.9	3.2
42018-4	BLACK	12.7	10.9	9.65	19.0	16.0	12.9	10.9	6.4
42018-5	NATURAL	19.0	16.5	14.9	28.4	16.0	12.9	10.9	6.4
42018-6	BLACK	19.0	16.5	14.9	28.4	16.0	12.9	10.9	6.4
42018-7	NATURAL	23.9	20.8	18.0	35.6	16.0	12.9	10.9	6.4
42018-8	BLACK	23.9	20.8	18.0	35.6	16.0 <td 12.9	10.9	6.4	



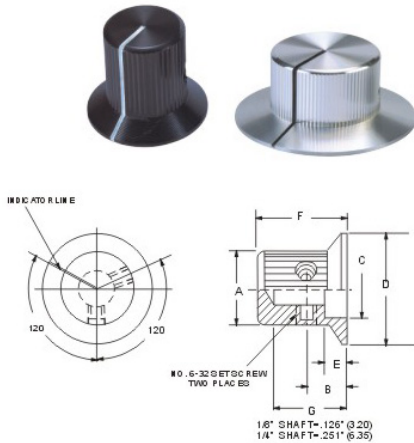
## Description

- Material: Aluminum
- Plain body with top and side sawcut in indicator

- 材質：鋁質
- 素面，鋸齒狀
- 頂部與側邊指示線



PART NO.	COLOR	A	B	C	D	E
42020-1	NATURAL	12.7	9.65	3.05	8.64	14.2
42020-2	NATURAL	19.0	14.9	3.05	14.7	14.2
42020-3	NATURAL	23.9	18.0	3.05	19.8	14.2
42020-4	NATURAL	31.8	24.9	3.05	27.7	14.2



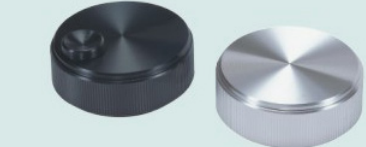
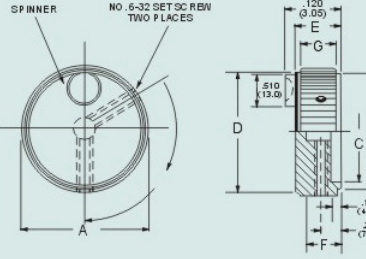
## Description

- Material: Aluminum
- Straight knurl with indicator line on top, and skirt

- 材質：鋁質
- 直齒狀
- 指示線從頂部延伸至下銘板

PART NO.	COLOR	A	B	C	D	E	F	G	SHAFT HOLE
42021-1	NATURAL	12.7	7.11	9.65	19.0	4.07	16.0	13.0	3.2
42021-2	NATURAL	12.7	7.11	9.65	19.0	4.07	16.0	13.0	6.4
42021-3	BLACK	12.7	7.11	9.65	19.0	4.07	16.0	13.0	3.2
42021-4	BLACK	12.7	7.11	9.65	19.0	4.07	16.0	13.0	6.4
42021-5	SMOKE	12.7	7.11	9.65	19.0	4.07	16.0	13.0	3.2
42021-6	SMOKE	12.7	7.11	9.65	19.0	4.07	16.0	13.0	6.4
42021-7	NATURAL	19.0	7.11	14.9	28.7	4.07	16.0	13.0	6.4
42021-8	BLACK	19.0	7.11	14.9	28.7	4.07	16.0	13.0	6.4
42021-9	SMOKE	19.0	7.11	14.9	28.7	4.07	16.0	13.0	6.4
42021-10	NATURAL	23.9	7.11	18.0	35.5	4.07	16.0	13.0	6.4
42021-11	BLACK	23.9	7.11	18.0	35.5	4.07	16.0	13.0	6.4
42021-12	SMOKE	23.9	7.11	18.0	35.5	4.07	16.0	13.0	6.4


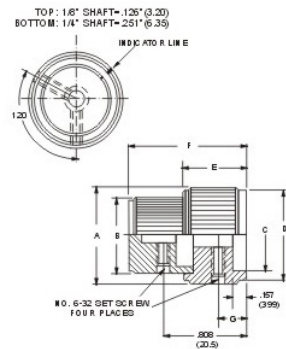
# Machined aluminum & shell knobs 全鋁及鋁殼旋鈕

**Description**

- Material: Aluminum
- Straight knurl with or without fingertip spinner
- 材質：鋁質
- 直齒狀
- 可選擇頂部是否加圓型凹槽

PART NO.	COLOR	A	B	C	D	E	F	G
<b>WITHOUT INDICATOR 無指示線</b>								
42023-1	NATURAL	44.4	39.4	34.8	41.9	16.0	13.0	12.2
	BLACK	44.4	39.4	34.8	41.9	16.0	13.0	12.2
42023-3	NTL.&BLK.	44.4	39.4	34.8	41.9	16.0	13.0	12.2
42023-4	BLK.&NTL.	44.4	39.4	34.8	41.9	16.0	13.0	12.2
<b>WITH INDICATOR 加指示線</b>								
42023-5	NATURAL	44.4	39.4	34.8	41.9	16.0	13.0	12.2
42023-6	BLACK	44.4	39.4	34.8	41.9	16.0	13.0	12.2
<b>WITH SPINNER WITH HOIT IN INDICATOR 加指示線并加指示線</b>								
42023-7	NATURAL	44.4	39.4	34.8	41.9	16.0	13.0	12.2
42023-8	BLACK	44.4	39.4	34.8	41.9	16.0	13.0	12.2
42023-9	NTL.&BLK.	44.4	39.4	34.8	41.9	16.0	13.0	12.2
42023-10	BLK.&NTL.	44.4	39.4	34.8	41.9	16.0	13.0	12.2

**Description**


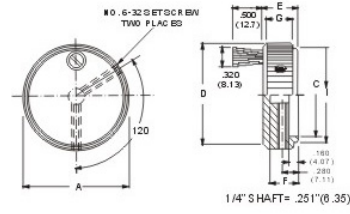
- Material: Aluminum
- Straight knurl concentric set with indicator line
- 材質：鋁質
- 直齒狀
- 雙層旋鈕+指示線

PART NO.	COLOR	A	B	C	D	E	F	G
42024-1	NATURAL	19.0	12.7	14.5	17.8	16.0	29.2	7.11
42024-2	BLACK	19.0	12.7	14.5	17.8	16.0	29.2	7.11
42024-3	NATURAL	23.9	19.0	18.0	22.8	16.0	29.2	7.11
42024-4	BLACK	23.9	19.0	18.0	22.8	16.0	29.2	7.11

**Description**

- Material: Aluminum
- Straight knurl with crank spinner
- 材質：鋁質
- 直齒狀·加一個上旋鈕


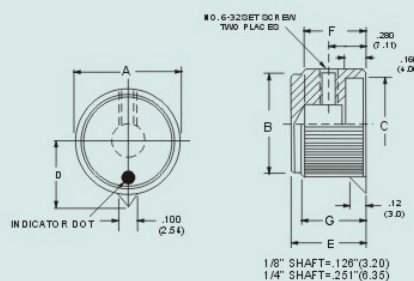
PART NO.	COLOR	A	B	C	D	E	F	G
42025-1	NATURAL	44.4	39.4	34.8	41.9	16.0	13.0	12.2
42025-2	BLACK	44.4	39.4	34.8	41.9	16.0	13.0	12.2
42025-3	NTL.&BLK./BLK.	44.4	39.4	34.8	41.9	16.0	13.0	12.2
42025-4	BLK.&NTL./BLK.	44.4	39.4	34.8	41.9	16.0	13.0	12.2

**Description**

- Material: Aluminum
- Straight knurl formed pointer and dot in indicator
- 材質：鋁質
- 直齒狀·突出三角點及圓形指示點

PART NO.	COLOR	A	B	C	D	E	F	G	SHAFT HOLE
42026-1	NATURAL	12.7	11.4	11.0	8.89	13.7	11.4	11.9	3.2
42026-2	NATURAL	12.7	11.4	11.0	8.89	13.7	11.4	11.9	6.4
42026-3	BLACK	12.7	11.4	11.0	8.89	13.7	11.4	11.9	3.2
42026-4	BLACK	12.7	11.4	11.0	8.89	13.7	11.4	11.9	6.4
42026-5	NATURAL	19.0	17.5	15.7	11.9	13.7	11.4	11.9	6.4
42026-6	BLACK	19.0	17.5	15.7	11.9	13.7	11.4	11.9	6.4
42026-7	NATURAL	23.9	22.3	20.8	14.5	13.7	11.4	11.9	6.4
42026-8	BLACK	23.9	22.3	20.8	14.5	13.7	11.4	11.9	6.4

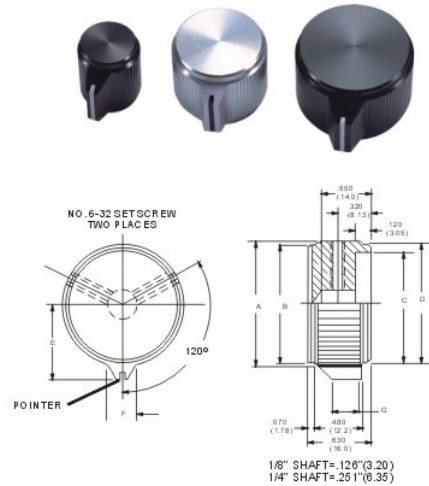



# Machined aluminum & shell knobs 全鋁及鋁殼旋鈕

## Description

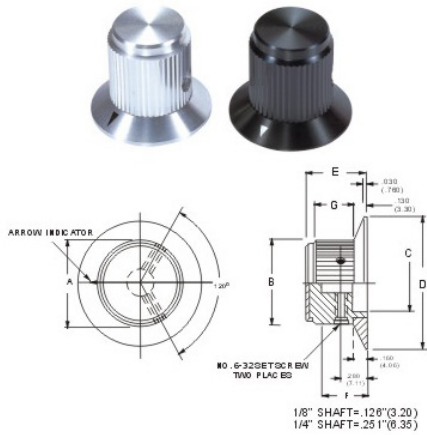
- Material: Aluminum
- Straight knurl with pointer and indicator line
- 材質：鋁質
- 直齒狀，突出指示線

PART NO.	COLOR	A	B	C	D	E	F	G	SHAFTHOLE
42028-1	NATURAL	12.7	11.4	9.65	11.4	9.40	5.08	8.89	3.2
42028-2	NATURAL	12.7	11.4	9.65	11.4	9.40	5.08	8.89	6.4
42028-3	BLACK	12.7	11.4	9.65	21.4	9.40	5.08	8.89	3.2
42028-4	BLACK	12.7	11.4	9.65	21.4	9.40	5.08	8.89	6.4
42028-5	NATURAL	19.0	17.8	15.0	17.8	13.2	6.09	9.90	6.4
42028-6	BLACK	19.0	17.8	15.0	17.8	13.2	6.06	9.90	6.4
42028-7	NATURAL	23.9	22.3	18.0	22.3	16.0	7.00	8.89	6.4
42028-8	BLACK	23.9	22.3	18.0	22.3	16.0	7.00	8.89	6.4
<b>TWO TONED</b>									
42028-9	NTL&BLK	12.7	11.4	9.65	11.4	9.40	5.08	8.89	3.2
42028-10	NTL&BLK	12.7	11.4	9.65	11.4	9.40	5.08	8.89	4.6
42028-11	BLK&NTL	12.7	11.4	9.65	11.4	9.40	5.08	8.89	3.2
42028-12	BLK&NTL	12.7	11.4	9.65	11.4	9.40	5.08	8.89	4.6
42028-13	NTL&BLK	19.0	17.8	15.0	17.8	13.2	6.09	9.90	4.6
42028-14	BLK&NTL	19.0	17.8	15.0	17.8	13.2	6.09	9.90	4.6
42028-15	NTL&BLK	23.9	22.3	18.0	22.3	16.0	7.00	8.89	4.6
42028-16	BLK&NTL	23.9	22.3	18.0	22.3	16.0	7.00	8.89	4.6



## Description

- Material: Aluminum
- Straight knurl with arrow head indicator on skirt
- 材質：鋁質
- 直齒狀，銘板加三角形指示點



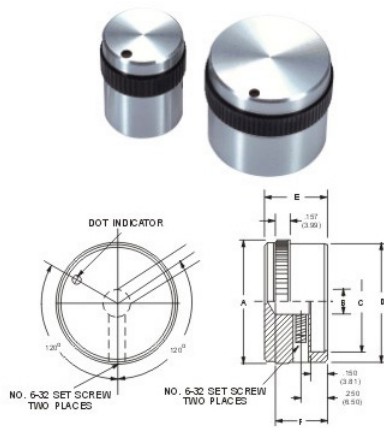
PART NO.	COLOR	A	B	C	D	E	F	G	SHAFTHOLE
42029-1	NATURAL	12.7	11.4	9.65	19.0	16.0	13.0	10.9	3.2
42029-2	NATURAL	12.7	11.4	9.65	19.0	16.0	13.0	10.9	6.4
42029-3	BLACK	12.7	11.4	9.65	19.0	16.0	13.0	10.9	3.2
42029-4	BLACK	12.7	11.4	9.65	19.0	16.0	13.0	10.9	6.4
42029-5	NATURAL	19.0	17.8	14.9	28.3	16.0	13.0	10.9	6.4
42029-6	BLACK	19.0	17.8	14.9	28.3	16.0	13.0	10.9	6.4
<b>BODY-TOP/SKIRT</b>									
42029-7	BLK&NTL	12.7	11.4	9.65	19.0	16.0	13.0	10.9	3.2
42029-8	BLK&NTL	12.7	11.4	9.65	19.0	16.0	13.0	10.9	6.4
42029-9	BLK&NTL	19.0	17.8	14.9	28.3	16.0	13.0	10.9	3.2
42029-10	BLK&NTL	19.0	17.8	14.9	28.3	16.0	13.0	10.9	6.4

### Description

- Material: Aluminum
- Push to turn with line indicator on skirt
- 材質：鋁質
- 彈壓可轉動下銘板

PART NO.	COLOR	A	B	C	D	E	F	G
42030-1	NATURAL	12.7	11.4	9.65	18.8	19.0	13.0	17.0
42030-2	BLACK	12.7	11.4	9.65	18.8	19.0	13.0	17.0
42030-3	NATURAL	19.0	17.3	14.9	28.3	19.0	13.0	17.0
42030-4	BLACK	19.0	17.3	14.9	28.3	19.0	13.0	17.0
42030-5	NATURAL	23.9	22.3	16.5	36.6	19.0	13.0	17.0
42030-6	BLACK	23.9	22.3	16.5	36.6	19.0	13.0	17.0

# Machined aluminum & shell knobs 全鋁及鋁殼旋鈕



## Description

- Material: Aluminum
- Knurl grip with top dot indicator

- 材質：鋁質
- 加環形塑膠及指示點

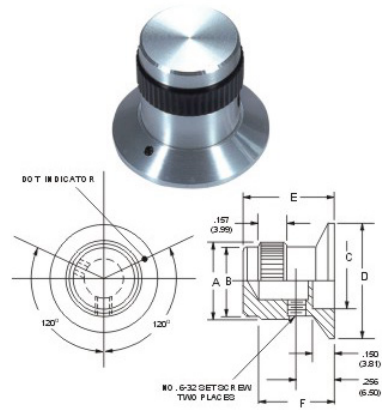
PART NO.	COLOR	A	B	C	D	E	F	SHAFT HOLE
42031-1	NTL&BLK	12.7	3.30	9.65	11.7	16.0	13.0	3.2
42031-2	NTL&BLK	12.7	3.30	9.65	11.7	16.0	13.0	6.4
42031-3	NTL&BLK	19.0	6.35	16.0	17.7	16.0	13.0	3.2
42031-4	NTL&BLK	19.0	6.35	16.0	17.7	16.0	13.0	6.4
42031-5	NTL&BLK	31.8	6.35	26.9	30.7	16.0	13.0	6.4

## Description

- Material: Aluminum
- Knurl grip with top dot indicator

- 材質：鋁質
- 加環形塑膠及指示點

PART NO.	COLOR	A	B	C	D	E	F	SHAFT HOLE
42032-1	NTL&BLK	12.7	11.7	9.65	19.0	16.0	16.0	3.2
42032-2	NTL&BLK	12.7	11.7	9.65	19.0	16.0	16.0	6.4
42032-3	NTL&BLK	19.0	18.0	16.0	28.7	16.0	16.0	6.4
42032-4	NTL&BLK	23.9	22.9	20.0	36.6	16.0	16.0	6.4



## Description

- Material: Aluminum, matte finish
- Straight knurl with indicator on skirt

- 材質：鋁質·霧面
- 直齒狀，銘板加指示線

PART NO.	COLOR	A	B	C	D	E	F	G
42033-1	BLACK MATTE	9.7	7.1	6.5	12.7	2.54	11.9	15.0
42033-2	BLACK MATTE	12.7	9.7	6.4	16.0	4.09	12.0	16.0
42033-3	BLACK MATTE	15.7	9.7	9.7	25.4	4.09	16.0	20.6





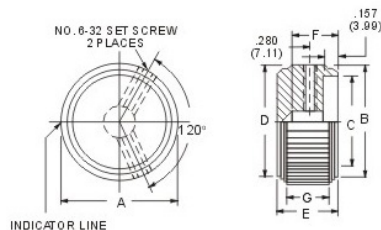
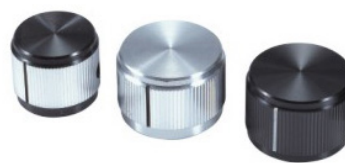
# Machined aluminum & shell knobs 全鋁及鋁殼旋鈕

## Description

- Material: Aluminum
- Straight knurl with indicator on skirt

- 材質：鋁質
- 直齒狀，側面指示線

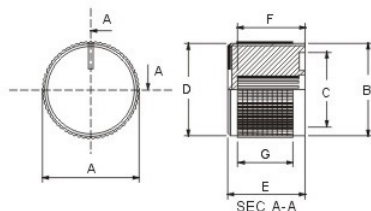
PART NO.	COLOR	A	B	C	D	E	F	G
42034-1	NATURAL	19.1	17.7	15.0	17.7	15.9	13.0	11.6
42034-2	BLACK	19.1	17.7	15.0	17.7	15.9	13.0	11.6
42034-3	NATURAL	24.1	22.7	17.7	22.7	15.9	13.0	11.6
42034-4	BLACK	24.1	22.7	17.7	22.7	15.9	13.0	11.7
42034-5	NTL-BLK	19.1	17.7	11.5	17.7	15.9	13.0	11.6
42034-6	BLK-NTL	19.1	17.7	11.5	17.7	15.9	13.0	11.6
42034-7	NTL-BLK	24.1	22.7	17.7	22.7	15.9	13.0	11.6
42034-8	BLK-NTL	24.1	22.7	17.7	22.7	15.9	13.0	11.7



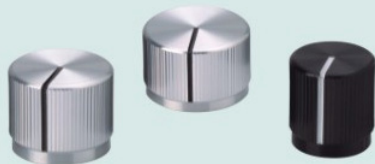
## Description

- Aluminum Shell with plastic insert
- Shaft hole:  $\phi 6\text{mm} \times 18$  teeth
- Square serration with indicator line

- 鋁質外殼加塑膠
- 插梢尺寸： $\phi 6\text{mm} \times 18$  齒
- 方格紋路，指示線於頂部



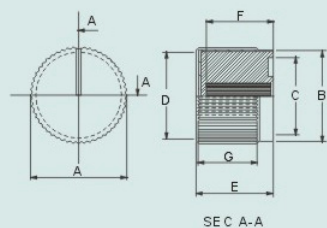
PART NO.	COLOR	A	B	C	D	E	F	G
42035-1	NATURAL	15	14.4	10.9	14.4	16.1	14	11.5
42035-2	BLACK	15	14.4	10.9	14.4	16.1	14	11.5
42035-3	NATURAL	19.9	19.1	16	19.3	16.1	14	11.5
42035-4	BLACK	19.9	19.1	16	19.3	16.1	14	11.5
42035-5	NATURAL	25	24.2	20.9	24.3	16.1	14	11.5
42035-6	BLACK	25	24.2	20.9	24.3	16.1	14	11.5



## Description

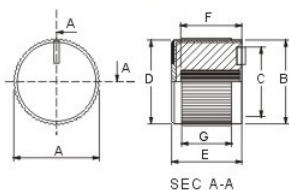
- Aluminum Shell with plastic insert
- Shaft hole:  $\phi 6\text{mm} \times 18$  teeth
- Top & Side indicator line

- 鋁質外殼加塑膠
- 插梢尺寸： $\phi 6\text{mm} \times 18$  齒
- 指示線從頂部延伸至側邊



PART NO.	COLOR	A	B	C	D	E	F	G
42036-1	NATURAL	14.9	13.9	10.9	13.3	16.1	14	12.4
42036-2	BLACK	14.9	13.9	10.9	13.3	16.1	14	12.4
42036-3	NATURAL	19.8	18.7	15.9	18.2	16.1	14	12.4
42036-4	BLACK	19.8	18.7	15.9	18.2	16.1	14	12.4
42036-5	NATURAL	24.9	23.9	20.9	22.8	16.1	14	12.4
42036-6	BLACK	24.9	23.9	20.9	22.8	16.1	14	12.4

# Machined aluminum & shell knobs 全鋁及鋁殼旋鈕



## Description

- Aluminum Shell with plastic insert
- Shaft hole:  $\phi$  6mm  $\times$  18 teeth
- Top inlay with indicator line

- 鋁質外殼加塑膠
- 插梢尺寸： $\phi$  6mm  $\times$  18 齒
- 指示線於頂部

PART NO.	COLOR	A	B	C	D	E	F	G
42037-1	NATURAL	14.9	14.4	10.9	14.4	16.1	14	11.5
42037-2	BLACK	14.9	14.4	10.9	14.4	16.1	14	11.5
42037-3	NATURAL	19.9	19.1	15.9	19.3	16.1	14	11.5
42037-4	BLACK	19.9	19.1	15.9	19.3	16.1	14	11.5
42037-5	NATURAL	24.9	24.2	20.9	24.3	16.1	14	11.5
42037-6	BLACK	24.9	24.2	20.9	24.3	16.1	14	11.5